

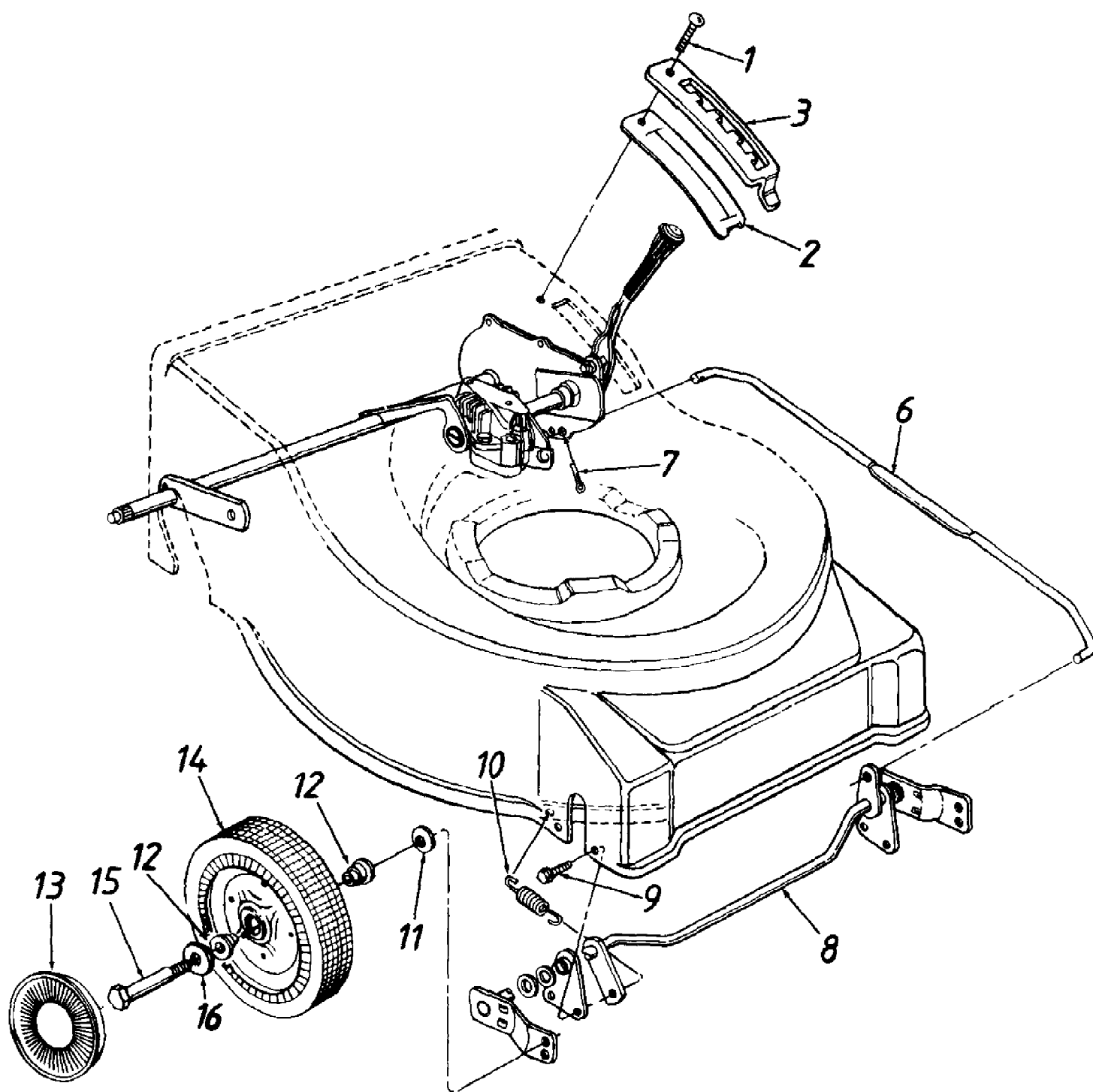
Ref #	Part Number	Qty	S/P/F	Description
1	747-0824	1	S	Std. Control Handle
	647-0004	1		Deluxe Control Handle
2	720-0279	1	/P	Handle Knob 1/4-20 Thd.
3	720-0225	1	S	Foam Grip
4	736-0501	1	S	Spr. Wash..66" I.D.
5	712-0324	1	/P	Hex L-Nut 1/4-20 Thd.
6	746-0843	1	S	Throttle Cable - 55"
7	811-00185	1	S	Throttle Box Comp. Incl. Ref. 4, 5, 8, 9, 10
8	746-0876	1	S	Throttle Lever
9	646-0875	1	S	Throttle Body
10	710-0605	1	/P	Oval C-Sunk Scr.
11	746-0554	1	S	Control Cable - 40.5"
12	749-0539B	1	S	Upper Handle
13	710-1205	1	/P	Rope Guide
14	782-7010	1		Stop Bracket
15	710-1174	1	/P	Curved Hd. Bolt 5/16-18 x 2"
16	736-0286	1	S	Bowed Washer
17	710-1055	1	/P	Hex Bolt 3/8-24 x 1" Lg.
18	726-0240	1	S	Cable Tie
19	731-1446	1	S	Mulching Plug (Optional)
20	720-0276	1	S	Hand Knob
21	749-0928	1	S	Lower Handle
22	731-1461	1	S	Chute Deflector (Optional)
23	782-7011	1	S	Chute Mounting Brkt. (Optional)
24	736-0270	1	/P	Bell-Wash. .265" I.D. x .75"
25	712-0324	1	/P	Hex L-Nut 1/4-20 Thd.
26	710-0286	1	/P	Mach. Scr. 1/4-20 x .5" Lg.
28	735-0639	1	/P	Spark Plug Boot (Optional)
29		1		Engine
30	731-0904	1	S	Control Cover Half - Upper
31	731-0905	1	S	Control Cover Half - Lower
32	731-0620	1	S	Control Lever
33	746-0711A	1	S	Drive Cable - 51" Lg.
34	710-0841	1	/P	Flat C-Sunk Hd. Tap Scr. #10 x .75" Lg.
35	731-0906	1	S	S.P. Control Cover
36	731-0857A	1	S	Hardtop Bag Cover
37	731-0856A	1	S	Hardtop Handle
38	764-0252	1	S	Grass Bag
39	710-0166	1	S	Truss Mach. Scr. 1/4-20 x 1.0" Lg.
40	712-0241	1	/P/F	Hex Nut 3/8-24 Thd.
41	736-0463	1	S	FI-Wash..281" I.D. x .62"
42	712-0287	1	S/F	Hex Nut 1/4-20 Thd.
43	764-0411	1	S	Front Catcher Frame
44	749-0736A	1		Rear Catcher Frame
45	731-0859	1	S	Chute Deflector
46	731-0970B	1	/P	Deflector Plug
47	731-0858	1		Seal - Extrusion
48	720-0223	1		Grip
49	732-0580	1		Spring Lever
50	732-0578B	1	/P	Torsion Spring - R.H.
51	732-0577B	1	S	Torsion Spring - L.H.
52	750-0566	1	S	Spacer .255" I.D.
53	12297B			Spacer .255" I.D.

Ref #	Part Number	Qty	S/P/F	Description
54	747-0698B	1	/P	Hinge Pin 17.75" Lg.
55	726-0106	1	S	Cap Speed Nut
56	711-0805	1		Shld. Pin 3/8-24 x 1.43" Lg.
57	736-0169	1	S/F	L-Wash. 3/8" I.D.
58	712-0711	1	/P	Hex Jam Nut 3/8-24 Thd.
59	712-0296	1	S	Hex L-Nut 3/8-24 Thd.
60	736-0105	1	/P	Belt-Wash..38" I.D. x .88"
61	710-0778	1	/P	Hex Wash. Hd. Tap Scr. 1/4-20 x 1.5" Lg.
62	710-0654A	1	/P	Hex L-Wash. Hd. Scr. 3/8-16 x 1" Lg.
63	16997	1		21" Deck Ass'y.
64	12296B	1	S	Handle Brkt. Ass'y. - R.H.
65	710-0892	1	S	Hex L-Wash. Hd. AB-Tap Scr. 1/4 x .62" Lg.
66	710-1006	1	S	Hex Wash. Hd. Tap Scr. 3/8-16 x .75" Lg.
67	710-0599	1	/P	Hex Wash. Hd. Tap Scr. 1/4-20 x .5" Lg.
68	750-0736	1	S	Spacer .383" I.D.
69		1		UNKNOWN
70		1		UNKNOWN
71		1		UNKNOWN
72	742-0621	1	S	21" Blade
	742-0721	1	S	21" Mulching Blade (Optional)
73	736-0453	1	S	Bell-Wash. .46" I.D.
74	710-0757	1	/P	Hex Bolt 7/16-20 x 1.5" Lg.
75	753-0485	1	/P	Blade Adapter Kit
76	736-0329	1	S/F	L-Wash. 1/4" I.D.
77	712-0298	1	S	Hex Jam Nut 1/4-20 Thd.
78	710-0252	1	/P	Hex Bolt 1/4-20 x .85" Lg.
79	17013A	1		Rear Belt Baffle Code: N notates a new part (not previously existing).
80	710-0167	1	/P/F	Carr. Bolt 1/4-20 x .50" Lg.
81	17006	1		Rear Panel Baffle
82	731-0931	1		Corner Plug
83	710-1017	1	/P	Torx Mach. AB-Tap Scr. 1/4 x .62" Lg.
84	710-0352	1	/P	Hex B-Tap Scr. 1/4 x .38" Lg.
85	731-1488	1		Rear Flap Code: N notates a new part (not previously existing).
86	17008	1	S	Rear Chute Baffle
87	14847	1	S	Retaining Strip
88	731-0981A	1	S	Hub Cap
89	10622B	1	S	Plastic Spring
90	748-0188B	1	S	Pawl .345" I.D.
91	712-0414	1	S	Weld Top L-Nut 1/4-20 Thd.
93	714-0115	1	S	Cotter Pin 1/8" Dia.
94	748-0318	1	S	Ratchet Wheel 1.62" O.D.
95	738-0137	1		Shld. Bolt .342" Dia. x .268"
96	734-1794	1		Wheel Ass'y. Comp. - Rear
97	741-0486B	1		Bearing 1/2" I.D.
98	750-0624	1		Shld. Spacer .50" Dia.
99	710-0751	1	/P	Hex Bolt 1/4-20 x .62" Lg. (Gr. 5)
100	711-0805	1		Shld. Pin 3/8-24 x 1.43" Lg.
101	16855	1		Pawl Plate
102	17053A	1		Chain Cover Ass'y.
103	741-0324	1		Spacer .506" I.D.

124-488N190 21" Self-Propelled Mower (Gas) (1994)
Complete Assembly

Page 4 of 8

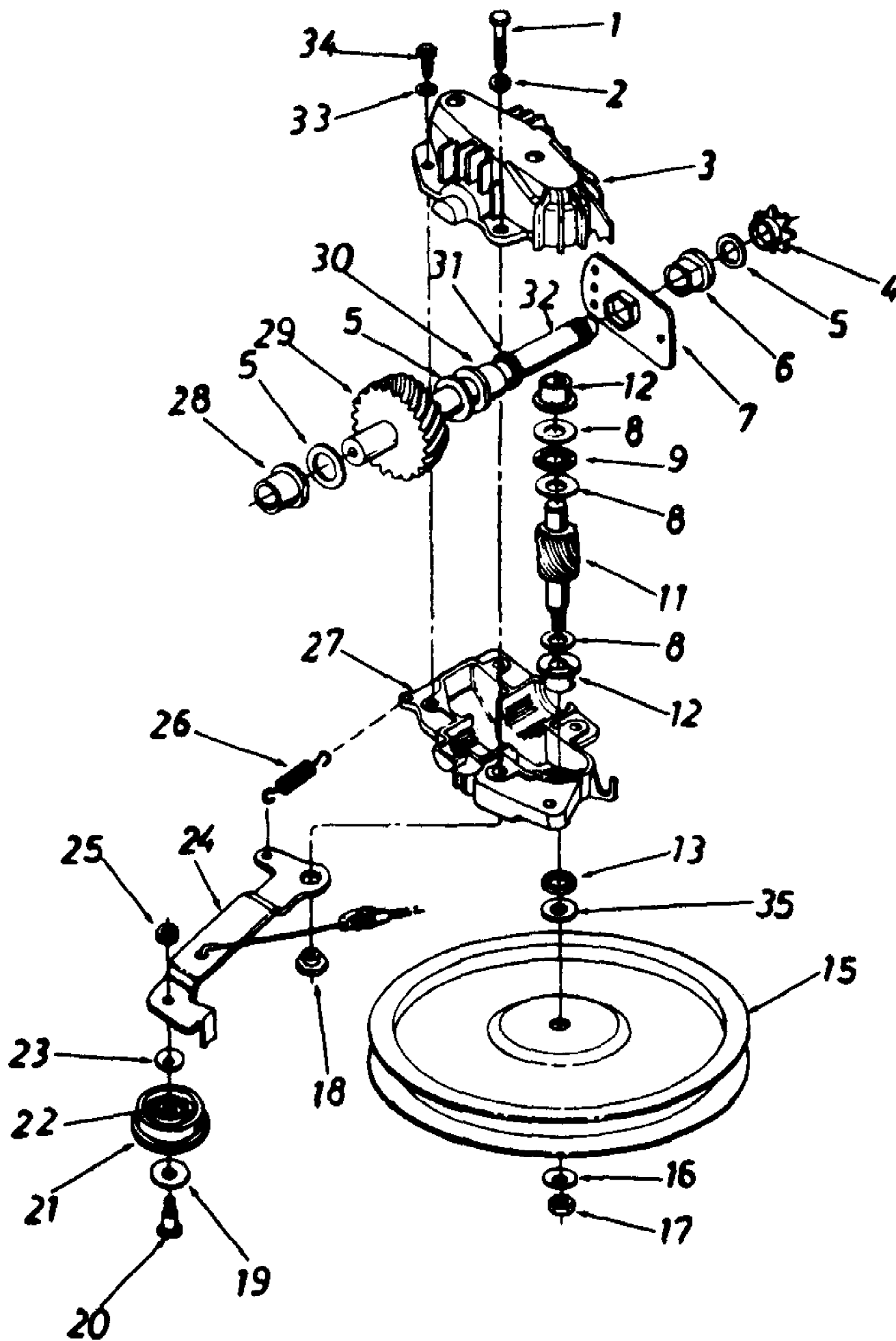
Ref #	Part Number	Qty	S/P/F	Description
104	736-0160	1	S	FI-Wash. .531" I.D. x .93"
105	738-0719A	1	S	Rear Axle Ass'y.
106	741-0522	1	S	Hex Flange Bearing
107	17009	1	S	Chain Axle Ass'y.
108	736-0498	1	/P	Internal L-Wash. 1/4" I.D.
?109	748-0190	1	/P	Spacer .513" I.D.
110	732-0481	1	S	Extension Spring 3.8" Lg.
111	750-0589	1	S	Spacer .325" I.D.
112	754-0346	1	S	V-Belt
113	720-0224	1	S	Grass Catcher Locking Knob
114	714-0104	1	S	Internal Cotter Pin 5/16" Dia.
115	713-0353	1	S	#48 Chain .50" Pitch x 30 Links
116	717-0417B	1	S	Transmission Comp. See "Transmission And Deck" illustration and parts list.
117	710-0892	1	S	Hex L-Wash. Hd. AB-Tap Scr. 1/4 x .62" Lg.
120	751B213146	1	/P	Cable Clamp Code: N notates a new part (not previously existing).
121	710-1237	1		Hex Self-Tap Scr. #10-32 x .62" Lg.
122	16864	1		6-Speed Rack Cable Brkt.
123	713-0397	1	S	3 Tooth Rack Gear Insert
124	731-0924	1		6-Speed Shift Lever
125	732-0627	1		Shift Lever Spring
126	746-0706	1		Spd. Control Cable
127	17070	1	S	Adjustable Cable Brkt.
128	747-0684	1		Shift Rod
129	736-0270	1	/P	Bell-Wash. .265" I.D. x .75"
130	712-0291	1	S	Hex Cent. L-Nut 1/4-20 Thd.
131	714-0507	1	S	Cot-Pin 3/32" Dia. x .75" Lg.
132	741-0500A	1	S	Movable Pulley Half Ass'y.
133	710-0167	1	/P	Carr. Bolt 1/4-20 x .5" Lg.
134	756-0503	1		Splined Pulley Half
135	731-1137	1	S	Flanged Bushing
136	736-0278	1		FI-Wash. .328" I.D. x .68" O.D.
137	682-7514	1	S	Housing Ass'y.
138	710-1256	1	/P	Hi-Lo Scr. #10 x 1.25" Lg.
139	751B281394	1	S	XTE Engine Shroud



124-488N190 21" Self-Propelled Mower (Gas) (1994)
Deck

Page 6 of 8

Ref #	Part Number	Qty	S/P/F	Description
1	710-1017	1	/P	Torx Mach. AB-Tap Scr. 1/4 x .62" Lg.
2	721-0216	1		Height Adjustment Support
3	17323	1		Height Adjustment Plate
6	747-0699	1		Height Adj. Connecting Rod
7	714-0507	1	S	Cotter Pin 3/32" Dia.
8	17022	1	S	Front Axle Ass'y.
9	710-0352	1	/P	Hex L-Wash. Hd. AB-Tap Scr. 1/4 x .38" Lg.
10	732-0589	1		Extension Spring 2.39" Lg.
11	736-0105	1	/P	Bell-Wash. .380" I.D. x .88"
12	741-0484	1	S	Ball Bearing 1/2" I.D.
13	731-0981A	1	S	Hub Cap
14	734-1793	1		Wheel Ass'y. Comp. - Front
15	738-0102	1	S	Shld. Bolt .498" Dia. x 1.45"
16	736-0504	1	S	Wave Wash. .51" I.D. x .78"



124-488N190 21" Self-Propelled Mower (Gas) (1994)
Transmission

Page 8 of 8

Ref #	Part Number	Qty	S/P/F	Description
1	710-1062	1		Hex Bolt 1/4-20 x 1.25" Lg. w/Patch
2	736-0329	1	S/F	L-Wash. 1/4" I.D.
3	717-0418A	1	/P	Upper Hsg. Half
4	713-0400	1		#48 Sprocket 7 Tooth x 1/2 Pitch
5	736-0336	1	S	FI-Wash. 5/8" I.D. x .030
6	741-0413	1	S	Hex Flange Brg. .631" I.D.
7	16500A	1	S	Hex Bearing Cup
8	736-0314	1	S	Thrust Wash. .382" I.D. x .70" O.D.
9	741-0479	1		Thrust Bearing .375" I.D. x .812" O.D.
11	717-1216	1	S	11 Tooth Pinion Shaft
12	748-0208A	1	/P	Flange Bearing
13	721-0212	1		Oil Seal
15	756-0330A	1	/P/F	FI-Pulley 5.06" O.D.
16	736-0270	1	/P/F	Bell-Wash, .265" I.D. x .75"
17	712-0351	1	S/F	Hex L-Nut 1/4-28 L.H. Thd.
18	738-0440	1	F	Shld. Spacer .375" Dia. x .170
19	736-0344	1	S/F	FI-Wash. .390" I.D. x 1.0"
20	738-0826	1	S/F	Shld. Bolt .375" Dia. x .40"
21	656-0008	1	S/F	FI-Idler Plastic 1.50" Dia. Incl. Ref. #22
22	741-0556	1	S/F	Needle Brg. .375" x .31
23	736-0270	1	/P/F	Bell-Wash. .265" I.D. x .75"
24	17052A	1	/P/F	Idler Brk't. Ass'y.
25	712-0138	1	S/F	Hex Patch L-Nut 1/4-28 Thd.
26	732-0357A	1	S/F	Extension Spring 1.12" Lg.
27	717-0419A	1	S	Lower Hsg. Half
28	741-0415	1	S	Flange Bearing .566 Dia.
29	717-0422	1	S	33 Tooth Helical Gear
30	741-0414	1		Flange Bearing .629 Dia.
31	721-0213	1	/P	Oil Seal .625 Dia.
32	738-0607	1	S	Gear Sprocket Shaft
33	736-0722	1	S	L-Wash. #10 I.D.
34	710-0436	1	S	Hex B-Tap Scr. #10 x .62"
35	736-0410	1	S/F	Hex Washer .26" x .88"
	717-0417B	1	S	Transmission Comp.